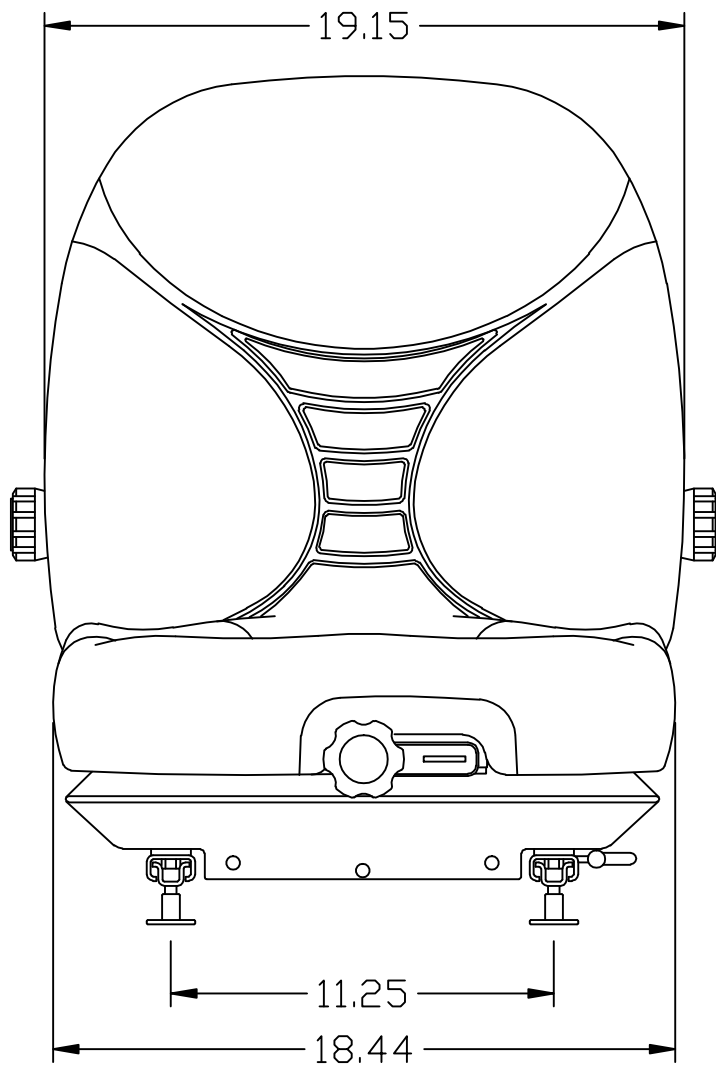
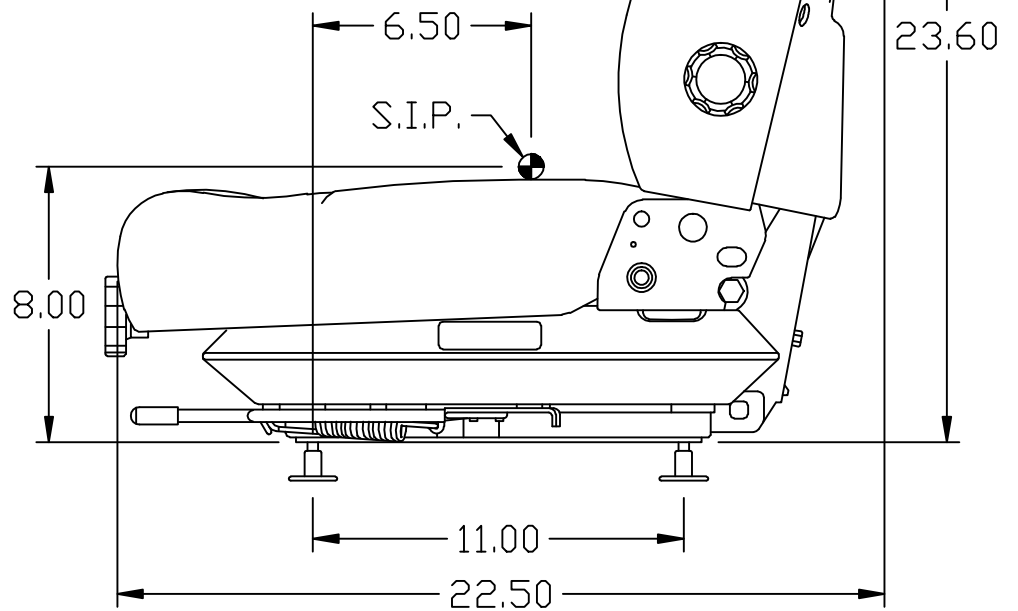


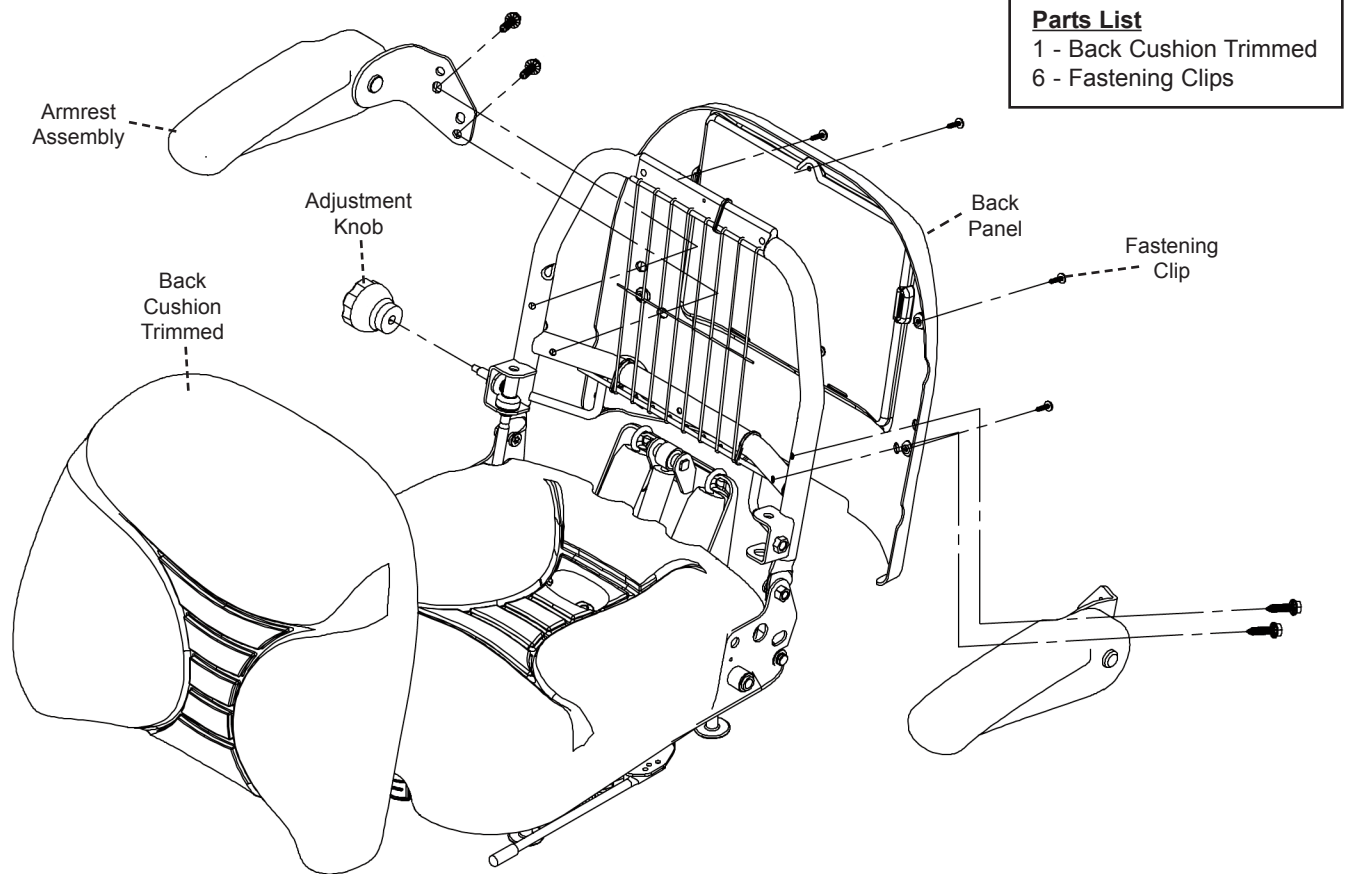
KM 236 Uni Pro

Front View



Side View





1. Remove the armrest assemblies (where applicable), back panel and any adjustment knobs. (Save all hardware.)
2. Remove the existing back cushion by removing 6 fastening clips. (Discard used fastening clips.)
3. Attach the new back cushion using 6 new fastening clips provided. A small hole will need to be made in the cushion material at the adjustment shaft location (where applicable). Making the cut in material after the cushion has been fully installed will assure proper alignment.
4. Reattach the adjustment knobs, back panel and armrest assemblies.