

KM 741

Uni Pro™ Seat Assembly



Black/Gray
Matrix Fabric
PN: 8364



Plush, spacious cushions for operator comfort

Adjustable mechanical lumbar supports your lower back with multiple settings

Tapered back support and adjustable backrest adds comfort and versatility

When seated, seat depth adjustment and cushion angle adjustment for individual fit

Durable black/gray matrix fabric covering

See **REVERSE** for applications drawings and options.

- **Grammer 741 Seat Top**
- Direct seat top replacement for seat with Grammer suspension

TRACTORSSEATS.com CONSTRUCTIONSEATS.com



800-328-1752

308 NW 2nd Street • Renville, MN 56284



APPLICATIONS



Tractors



Construction

Fits - John Deere® Tractor: 310

**Will fit the Grammer MSG95 & MSG85 Mechanical Suspension*

MAINTENANCE ITEMS

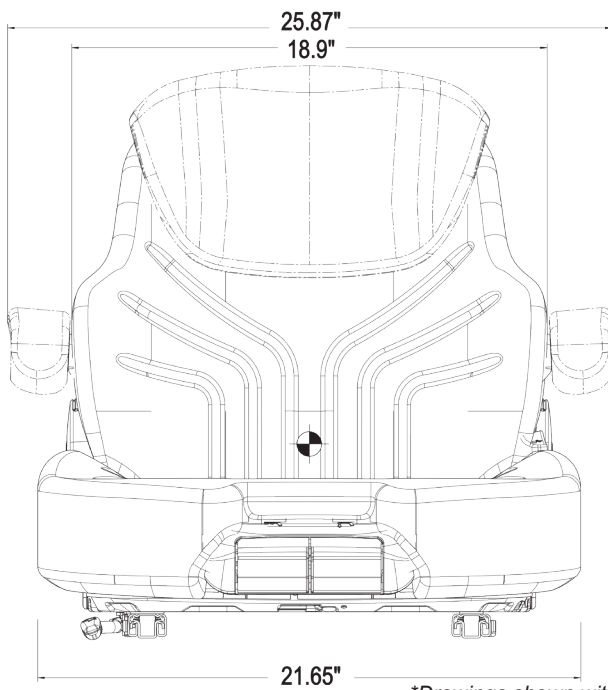
- 7995* Replacement Back Cushion (Black/Gray Matrix Fabric)
- 8251* Replacement Seat Cushion (Black/Gray Matrix Fabric)
- 8158 Replacement Backrest Adjust Handle Kit
- 8448 Replacement LH or RH Backrest Adjust Handle Kit
- 8372 Replacement Seat Belt Cover Kit
- 8594 Replacement Seat Depth/Tilt Kit

***Replacement cushions only fit the Grammer MSG95/721 seat.**

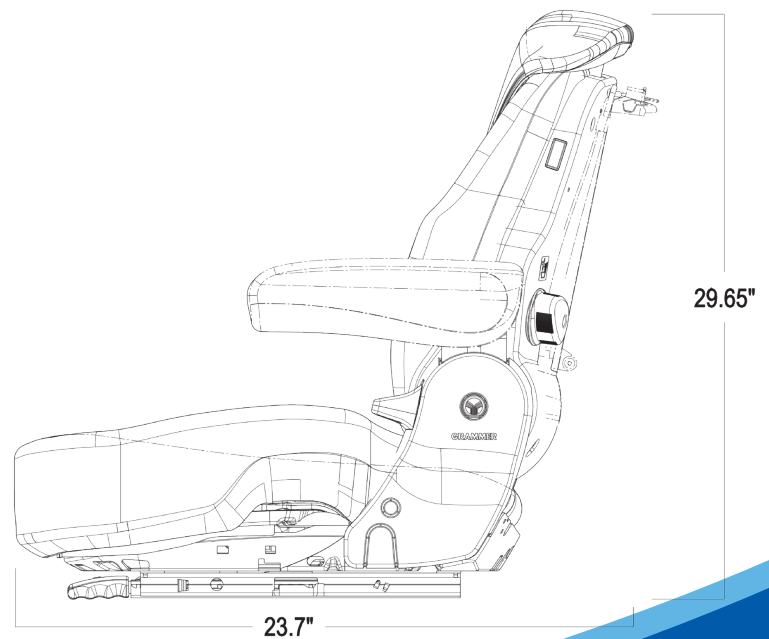
OPTIONS

- 7966 LH Armrest - Adjustable
- 7967 RH Armrest - Adjustable
- 8538 LH Armrest - Non-Adjustable
- 8539 RH Armrest - Non-Adjustable
- 7996 Retractable Seat Belt Kit
- 8365 Backrest Extension (Black/Gray Matrix Fabric)
- 8573 Backrest Extension Install Kit
- 6048 Slide Rail Kit
- 5007 Swivel Kit
- 7961 Operator Presence Switch

FRONT VIEW



SIDE VIEW



**Drawings shown with optional armrests and backrest extension.*