

Kubota B1700-L4200

Uni Pro™ Bucket Seat Kits



CHOOSE FROM

●
Black Vinyl
PN: 6868

OR

●
Black Vinyl
PN: 6869

milsco®

PN: 6869



Vacuum formed waterproof vinyl cover adds comfort and durability

PN: 6868

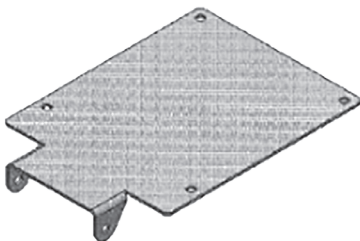


Ergonomical cushion

Drain hole prevents water build-up

Durable blow molded plastic frame is corrosion resistant

Seat Bracket



See **REVERSE** for applications, drawings and options.

PN: 6868 Includes: KM 125 Uni Pro™ Bucket Seat, Seat Bracket & Bolt Bag

PN: 6869 Includes: KM 129 Uni Pro™ Bucket Seat, Seat Bracket & Bolt Bag

TRACTORSSEATS.com TURFSEATS.com

800-328-1752

308 NW 2nd Street • Renville, MN 56284



APPLICATIONS



Tractors

Fits - Kubota® B1700-B2400 and L2500-L4200 Series Compact Tractors

(Replaces Kubota® Numbers TA040-11800, TA040-11804, TA040-18430, TA040-48510)

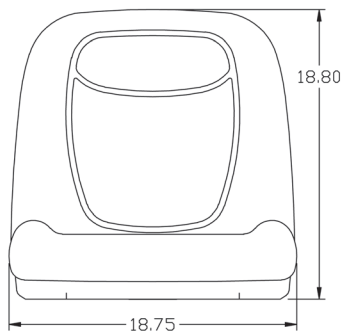
B1700 Series: B1700D, B1700E, B1700HSD, B1700HSE; **B2100 Series:** B21, B2100D, B2100E, B2100HSD, B2100HSE; **B2400 Series:** B2400D, B2400E, B2400HSD, B2400HSE

L2500 Series: L2500DT, L2500F; **L2600 Series:** L2600DT, L2600F; **L2900 Series:** L2900DT, L2900DT-GST, L2900F; **L3000 Series:** L3000DT, L3000F; **L3300 Series:** L3300DT, L3300DT-GST, L3300F; **L35 Series:** L35; **L3600 Series:** L3600DT, L3600DT-C, L3600DT-GST, L3600DT-GST-C; **L4200 Series:** L4200DT, L4200DT-C, L4200DT-GST, L4200DT-GST-C, L4200F, L4200F-C, L4200F-GST

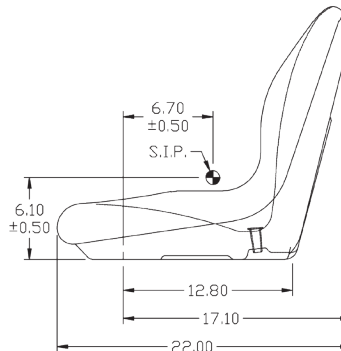
OPTIONS

- 7947 KM 125 Armrest Kit (PN: 6868)
- 7946 KM 129 Armrest Kit (PN: 6869)
- 7911* Lap Belt
- 7925* 45.5" Retractable Seat Belt
- *6002 Seat Belt Bracket
(Necessary with PNs: 7911 & 7925)
- 8443 47" Retractable Seat Belt with Switch
- 8590 51.5" Orange Retractable Seat Belt
- 6043 Slide Rail Kit
- 8666 Operator Presence Switch
(Normally Open)
- 8667 Operator Presence Switch
(Normally Closed)
- 8671 4-Prong Operator Presence Switch
(Normally Closed)

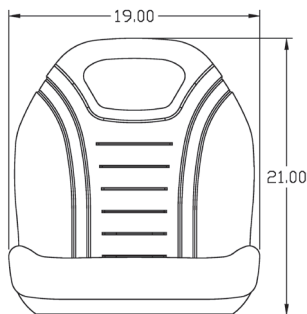
FRONT VIEW
PN: 6868



SIDE VIEW
PN: 6868



FRONT VIEW
PN: 6869



SIDE VIEW
PN: 6869

